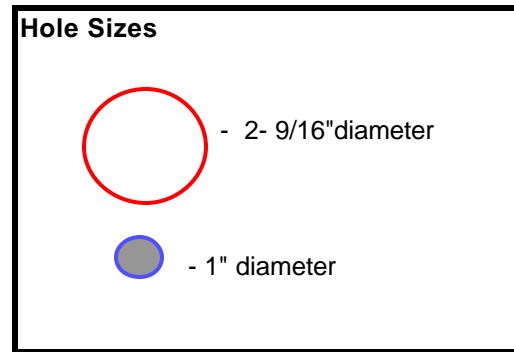
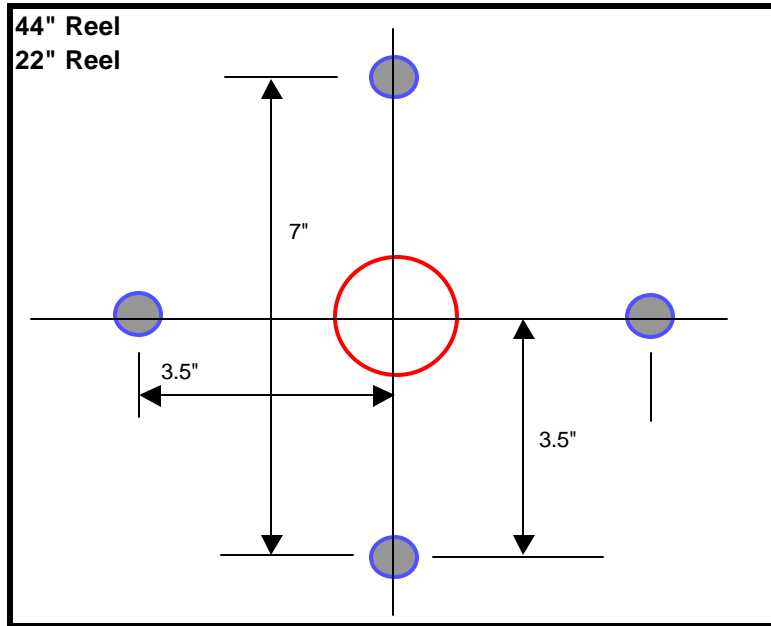


HARDWIRE Reel Specs

22" reels are used for 250' and 500' lengths (generally anything from 100' - 700')

44" reels are used for 2000' and 2500' lengths (generally anything over 700')

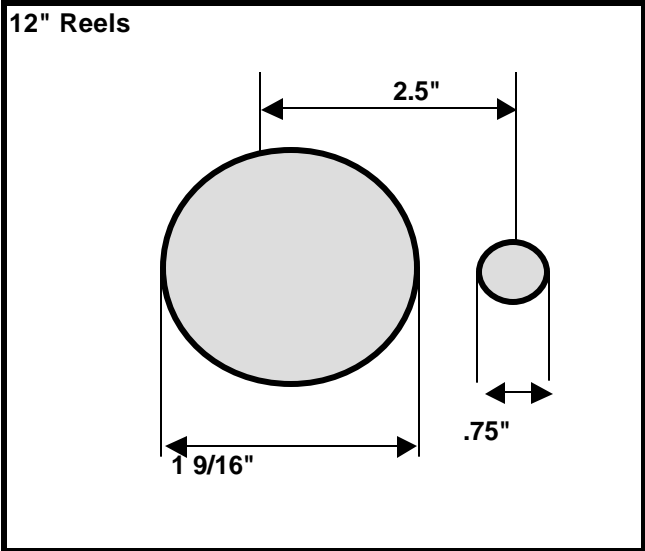
Note: 22" and 44" reels use the same drive pattern.



The 22" reel measures 22" diameter, a 10" diameter hub, and an inside diameter of 14.25" wall to wall.

The 44" reel measures 45.5" diameter, a 14" hub, and an inside diameter of 14.25" wall to wall.

12" Reels are used for all 50' small rolls.



The 12" reel measures 12" diameter, a 10" diameter hub, and an inside diameter of 14.25" wall to wall.